

# POLAR 2-50 VACUUM PACKAGING MACHINE



VACUUM PACKAGING MACHINE — POLAR 2-50 — SPEC SHEET



## FEATURES:

- Standard with 2 seal bars (front-back): 2 x 620 mm
- Standard double seal (two wires). Optional without extra costs: Cut off or Wide seal (10 mm)
- Silicone holders easily removable for cleaning and maintenance purposes
- Pump capacity: 100 m<sup>3</sup>/h Busch vacuum pump
- Pump maintenance and cleaning program
- Machine cycle: 15-40 sec
- Soft Air to protect the product and vacuum bag
- Standard Digital control with 10 program memory and Time control
- Flat work plate
- Comes with insert plates for a faster cycle and product adjustment
- Stainless steel exterior
- IP-65 classification

## OPTIONS:

- 1-2 Cut off/Bi-active seal
- Sensor control, Advanced Control System (ACS), Liquid control
- Gas flush (including pressed air connection)
- Preparation for external pump
- Heating element for vacuum valve

## ACCESSORIES:

- Zebra ZD410 thermal label printer (only in combination with ACS)
- Inclined insert plate
- Service kit for standard maintenance

## DESCRIPTION:

The robust, stainless steel Polar 2-50 vacuum packaging machine is standard equipped with a Busch vacuum pump. This double chamber complies with CE standards.



## SEAL BAR CONFIGURATION:



## Sales and Service Support

**Phone:**  
(07) 3806 5972

**Email:**  
sales@vacpac.com.au  
service@vacpac.com.au

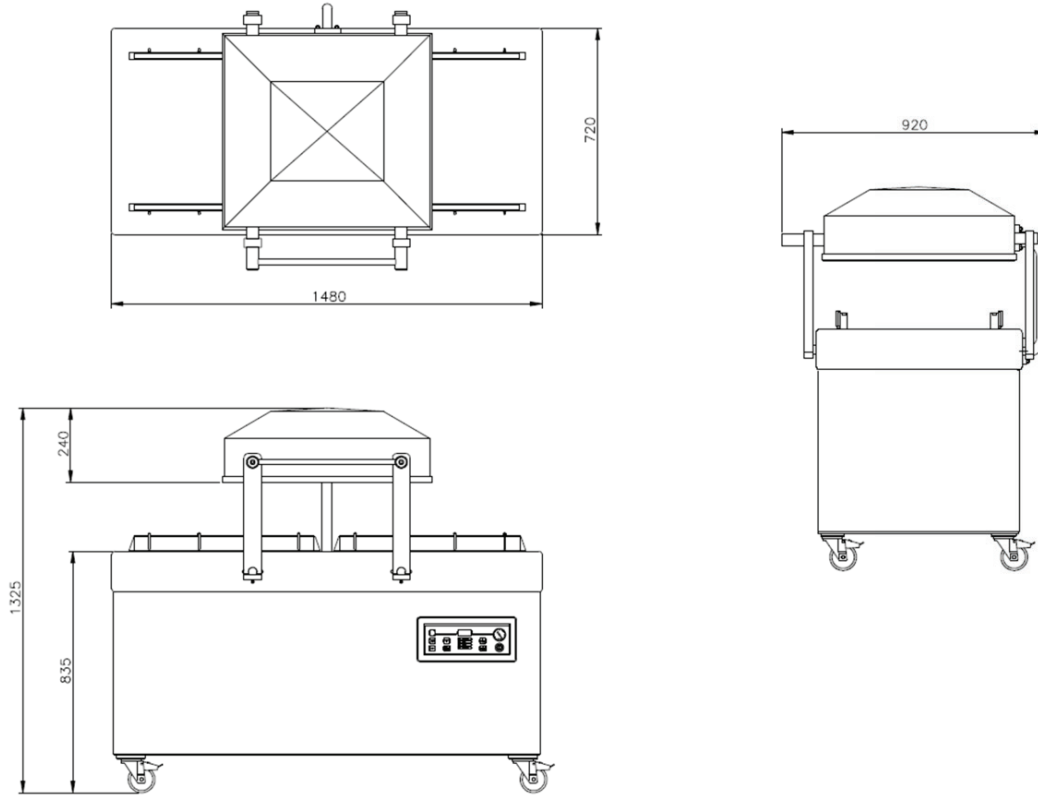
## Visit our Showroom

Unit 3, 14-16 Cairns Street,  
Loganholme QLD, Australia 4129

# POLAR 2-50 VACUUM PACKAGING MACHINE



## DIMENSIONS (IN MM)



VACUUM PACKAGING MACHINE — POLAR 2-50 — SPEC SHEET

Model	Dimensions (mm)		Voltage* (Hz)	Pump capacity (m <sup>3</sup> /h)	Power (kW)	Weight (kg)
	Chamber (usable space) L x W x H	Machine L x W x H				
Polar 2-50	500 x 620 x 240	920 x 1480 x 1325	400V-3-50	100	3,5– 5,3	345

\* Other voltages available



### Sales and Service Support

**Phone:**  
(07) 3806 5972

**Email:**  
sales@vacpac.com.au  
service@vacpac.com.au

### Visit our Showroom

Unit 3, 14-16 Cairns Street,  
Loganholme QLD, Australia  
4129